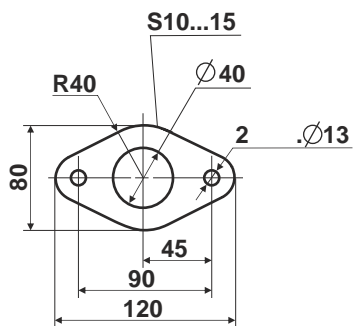
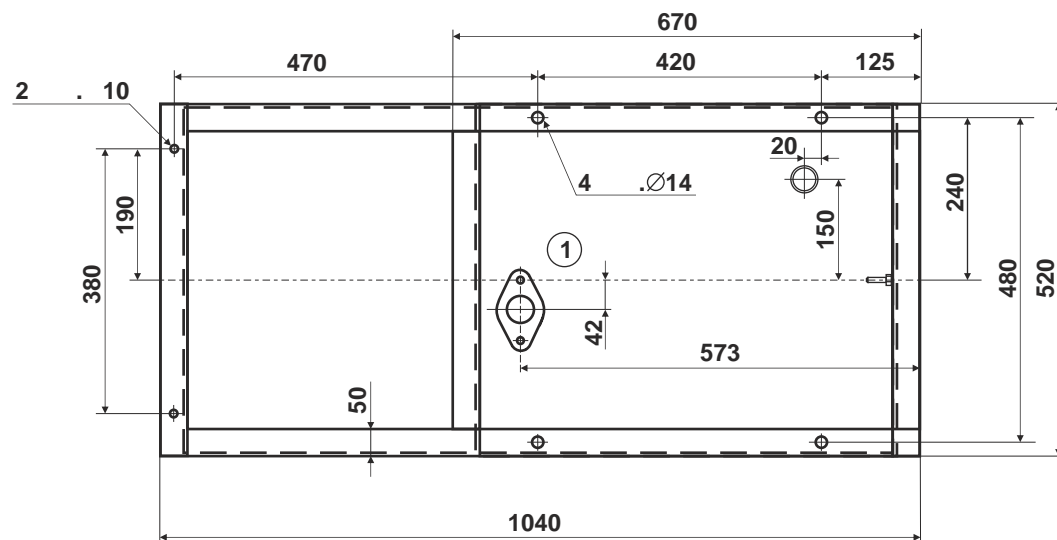
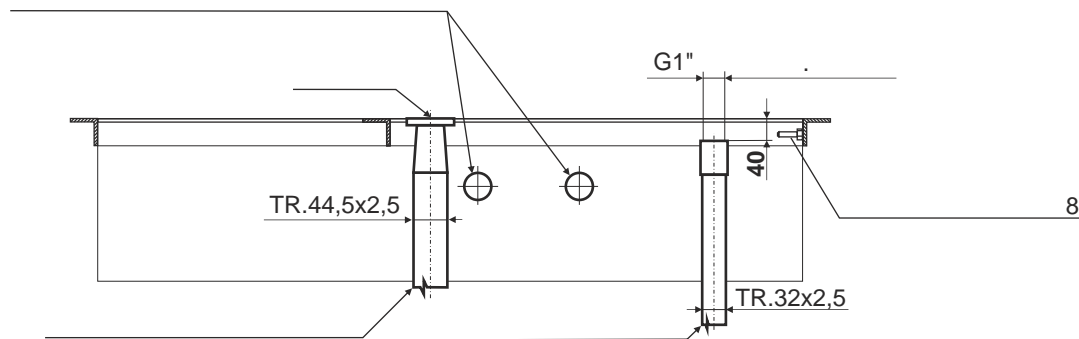


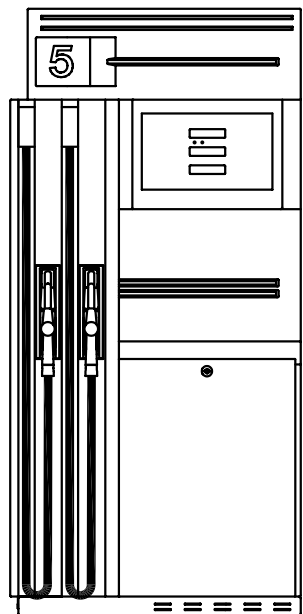
①



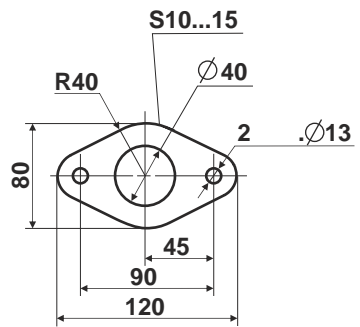
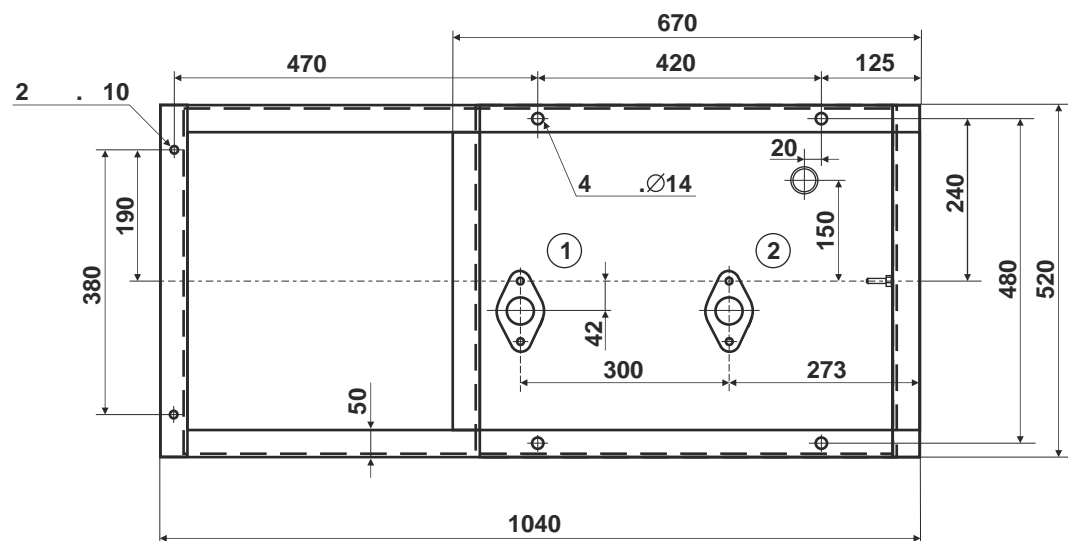
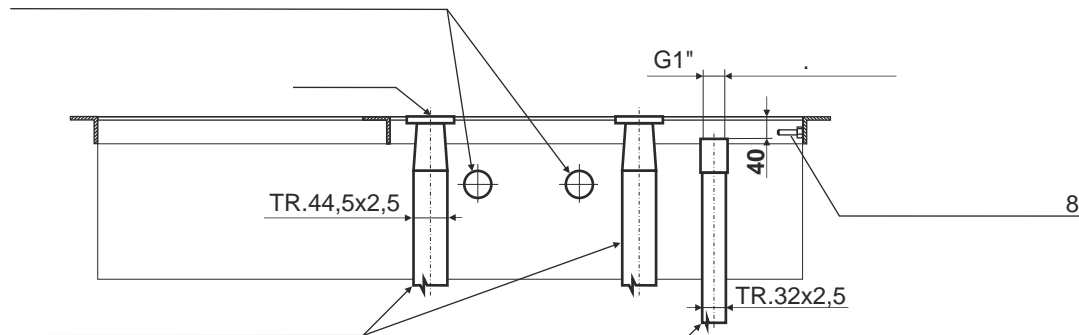
①



2011 .	BMP 2011 OC, BMP 2012 OC	“ ”
--------	--------------------------	-----

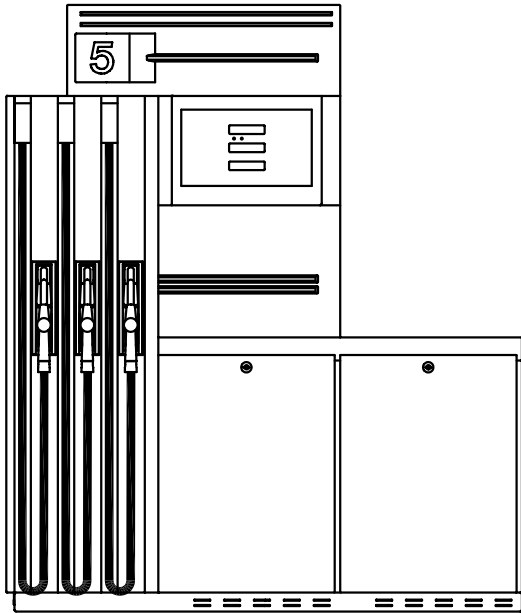


② ①

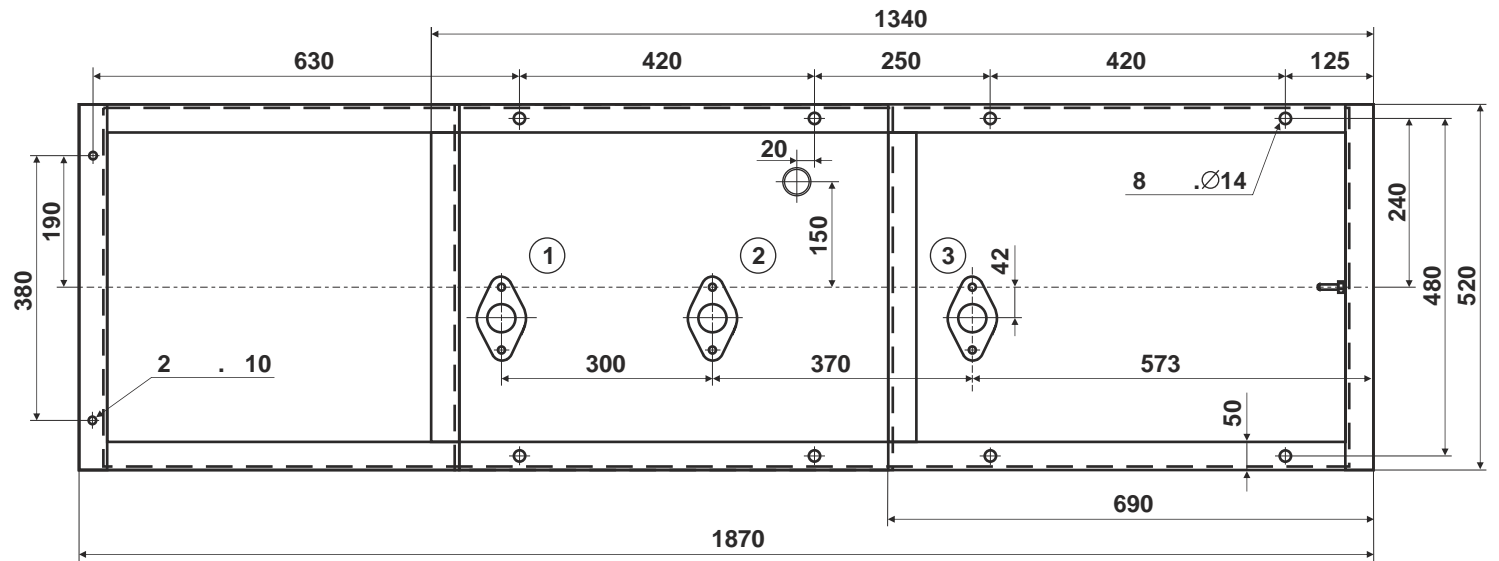
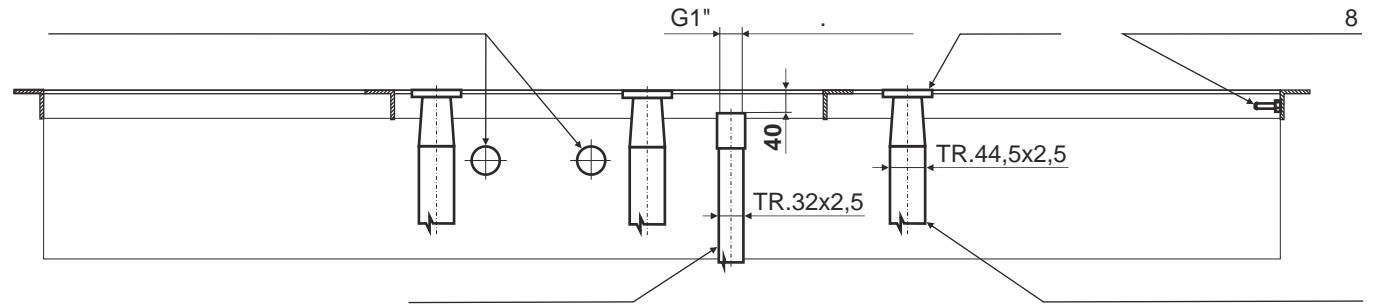


① ②

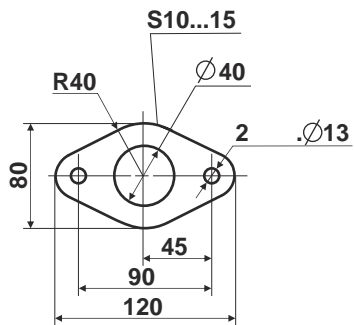
2011 .	BMP 2022 OC, BMP 2024 OC	“ ”
--------	--------------------------	-----



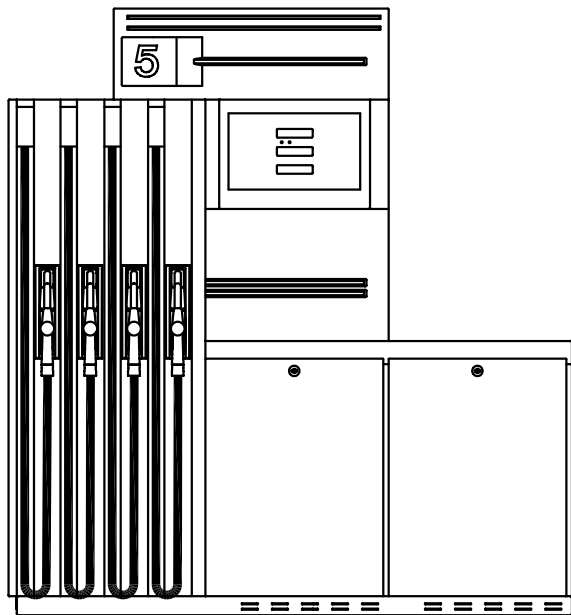
③ ② ①



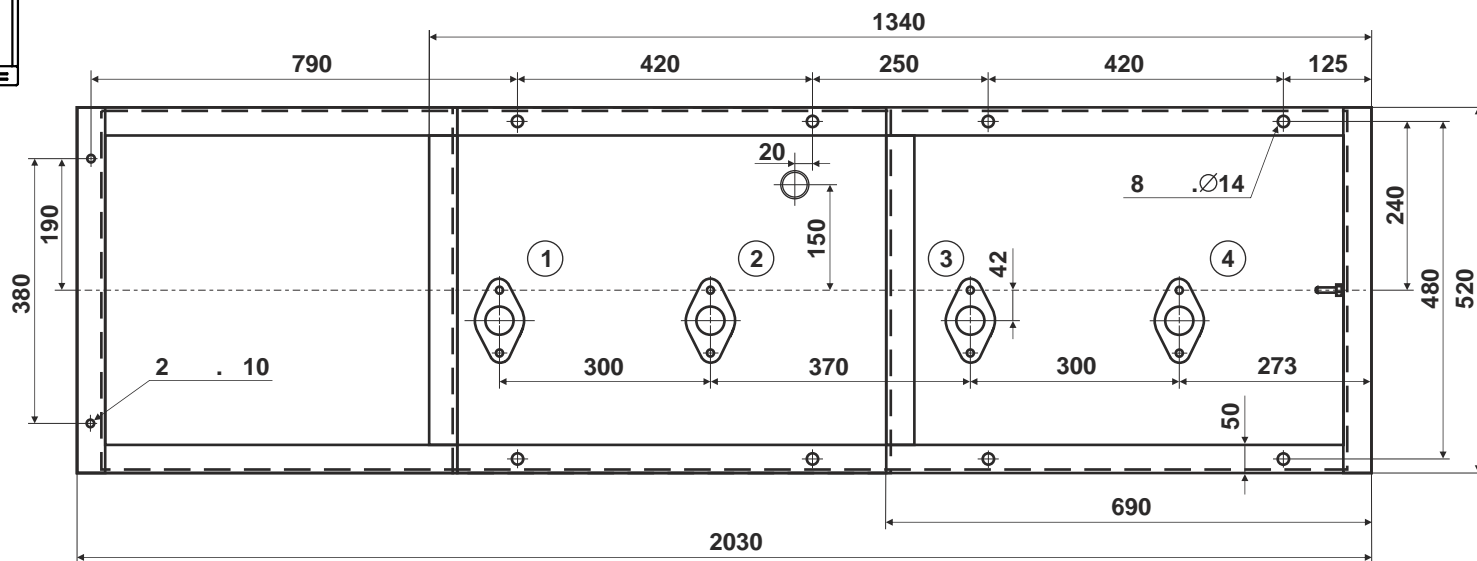
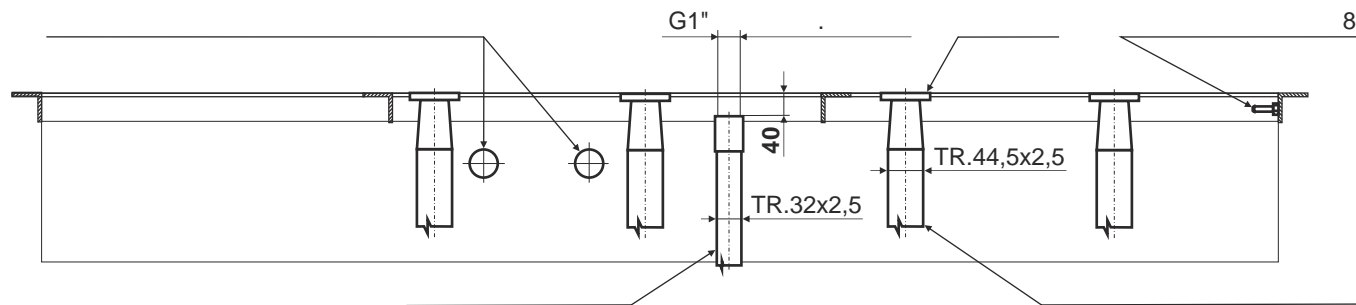
① ② ③



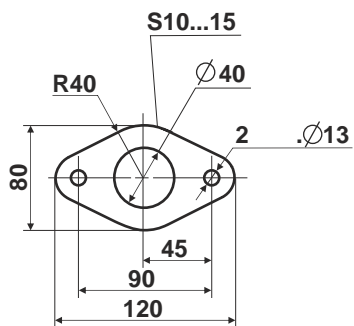
2011 .	BMP 2033 OC, BMP 2036 OC	“ ”
--------	--------------------------	-----



④ ③ ② ①



① ② ③ ④



2011 .	BMP 2044 OC, BMP 2048 OC	“ ”
--------	--------------------------	-----